



Mancino "Softwall" Wainscot 110-9 Series

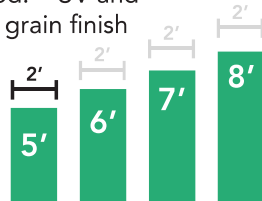
Padded **SOFTWALL** wainscot panels designed to be attached in a continuous row; each panel consist of foam filler fully cemented to the OSB wood backing and covered with Class "A" Flame retardant vinyl laminated polyester fabric on the full surface, sides, ends, and including all wood edges. Vinyl is securely stapled to the back of the OSB backer board.

- Backer Board:** 7/16-inch- (11-mm-) SFI® Certified Responsible Urea Formaldehyde Free recycled composite wood backer board.
- Foam Filler:** 2" thick, 7.5lb density – With surface burning characteristics meeting ASTM E84 Class A testing and also meeting impact attenuation standard ASTM 2440-18
- Vinyl Covering:** 14 -oz. Vinyl laminated polyester.
 - CPSC CPSIA - 6P compliant.
 - Fire retardant meeting NFPA-701, CSFM test method and Class A- ASTM E-84 test method.
 - UV and Anti-Mildew treated.
 - Leather grain finish

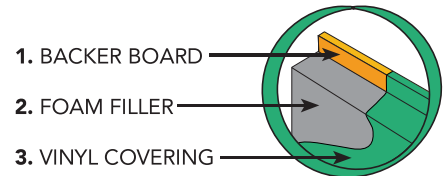
IMPACT SERIES
ASTM 2440-18



Standard Sizes:



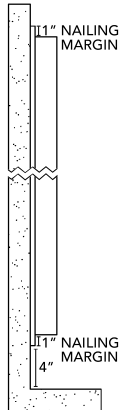

Size Selection:



Installation: Select one of three primary options below.

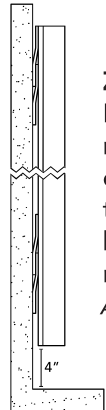

110-920

Nailing Margin (top & bottom):
Panels to be supplied with a 1-inch- nail margin top and bottom and mounted directly to wall surface.

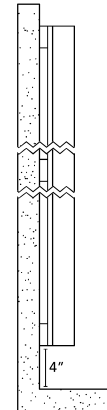
110-900/ZT

Z-Clip (top & bottom):
Panels to be supplied with no nail margins and to be hung on concealed Aluminum "Z" track supplied by the wall pad manufacturer.
At an additional cost.

110-900 or 110-920

Fir Strip:
Panels to be supplied with a no nail margins and to be mounted to concealed 1-inch- x 3-inch- fir stripping (supplied by the installer) that is attached in 3 continuous horizontal rows to the wall. In which the exposed tops and sides of fir are covered in a matching vinyl. Panels are affixed to the stripping using a toenail method of nailing.



Color Selection:

CHAMPION BLUE	FLAIR RED	NAVY BLUE	YELLOW	FOREST GREEN	CAMEL	SKY BLUE	ROYAL BLUE	GALAXY GRAY	RICH RED	BLACK	ORANGE	KELLY GREEN	PURPLE	WHITE	DARK MAROON
01	02	03	04	05	06	07	08	09	10	11	12	13	14	15	16
<input type="checkbox"/>	<input type="checkbox"/>	<input type="checkbox"/>	<input type="checkbox"/>	<input type="checkbox"/>	<input type="checkbox"/>	<input type="checkbox"/>	<input type="checkbox"/>	<input type="checkbox"/>	<input type="checkbox"/>	<input type="checkbox"/>	<input type="checkbox"/>	<input type="checkbox"/>	<input type="checkbox"/>	<input type="checkbox"/>	<input type="checkbox"/>