



## Mancino "Softwall" Wainscot 110-4 Series

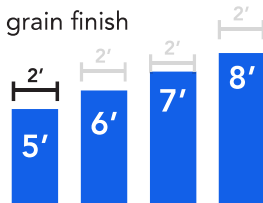
Padded SOFTWALL wainscot panels designed to be attached in a continuous row; each panel consist of foam filler fully cemented to the OSB wood backing and covered with Class "A" Flame retardant vinyl laminated polyester fabric on the full surface, sides, ends, and including all wood edges. Vinyl is securely stapled to the back of the OSB backer board.

- Backer Board:** 7/16-inch- (11-mm-) SFI® Certified Responsible Urea Formaldehyde Free recycled composite wood backer board.
- Foam Filler:** 2-inch- (50.8-mm-) thick polyethylene foam filler, with a density of 1.7-lb/cf.
- Vinyl Covering:** 14 -oz. Vinyl laminated polyester.
  - CPSC CPSIA - 6P compliant.
  - Fire retardant meeting NFPA-701, CSFM test method and Class A- ASTM E-84 test method.
  - UV and Anti-Mildew treated.
  - Leather grain finish

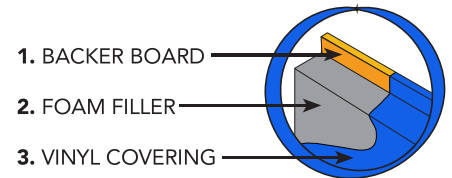
**IMPACT SERIES**  
**ASTM 2440-18**



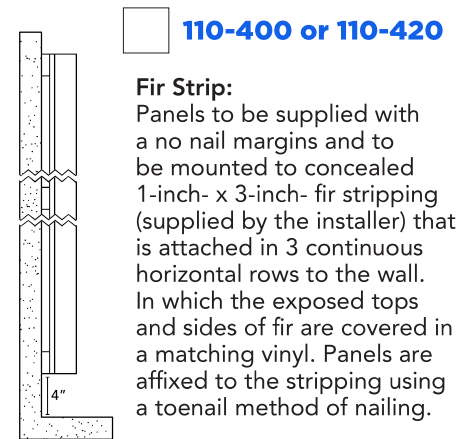
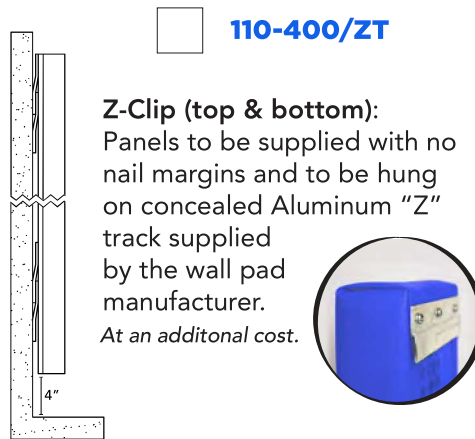
### Standard Sizes:



Size Selection:



### Installation: Select one of three primary options below.



### Color Selection:

